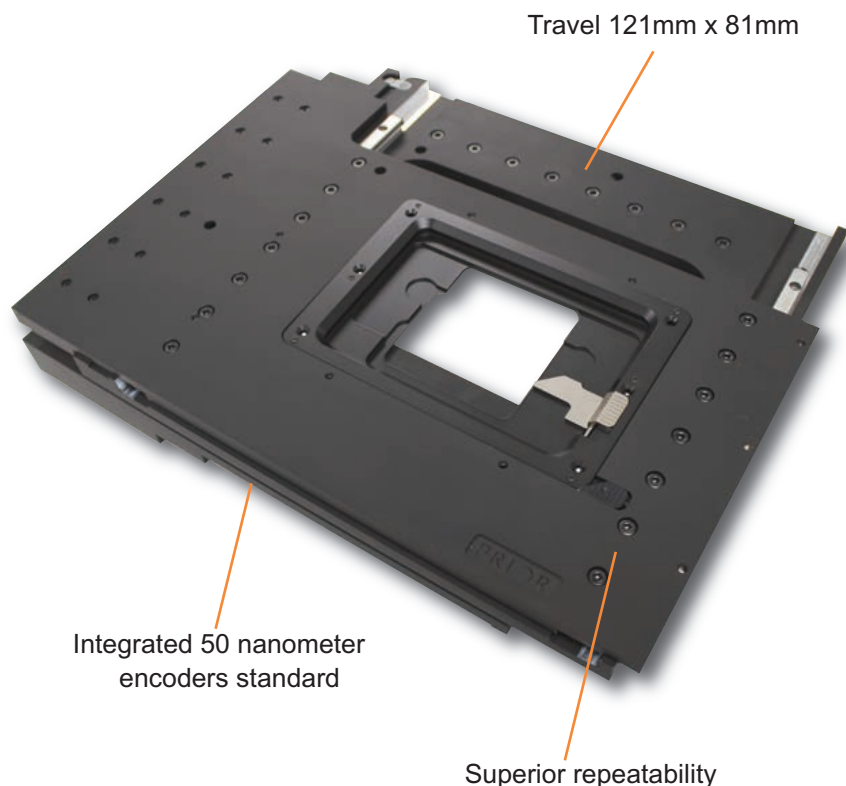


HLD117IX

High Precision Stage with Linear Motor Technology for Olympus IX3 Microscopes



Prior's newest stage technology, the HLD117IX stage with Linear Motor Technology brings a new level to precision in microscope automation.

Features of the HLD117IX include:

- Superior repeatability - 0.15 μ m*
- Faster scanning speeds up to 300mm/sec
- Low profile
- Ultra quiet operation
- Super smooth movements
- Integrates with cellSens software
- Range of standard sample holders*
- Flat top design
- Integrated 50 nanometer encoders standard
- Compatible with Prior NanoScan Piezo Z stages
- Fixed stage cable eliminates cable drag improving performance

*For a complete list of Prior sample holders please see the Prior Scientific price list.

General Specifications

- Travel range: 121 mm x 81 mm
- XY repeatability: 0.15 μ m*
- Minimum step size (resolution): 0.05 μ m
- Metric accuracy (per mm of travel): 0.045 μ m**
- Minimum velocity: 1 micron/second
- Maximum velocity: 300 mm/second
- Squareness: 20 arc/second**

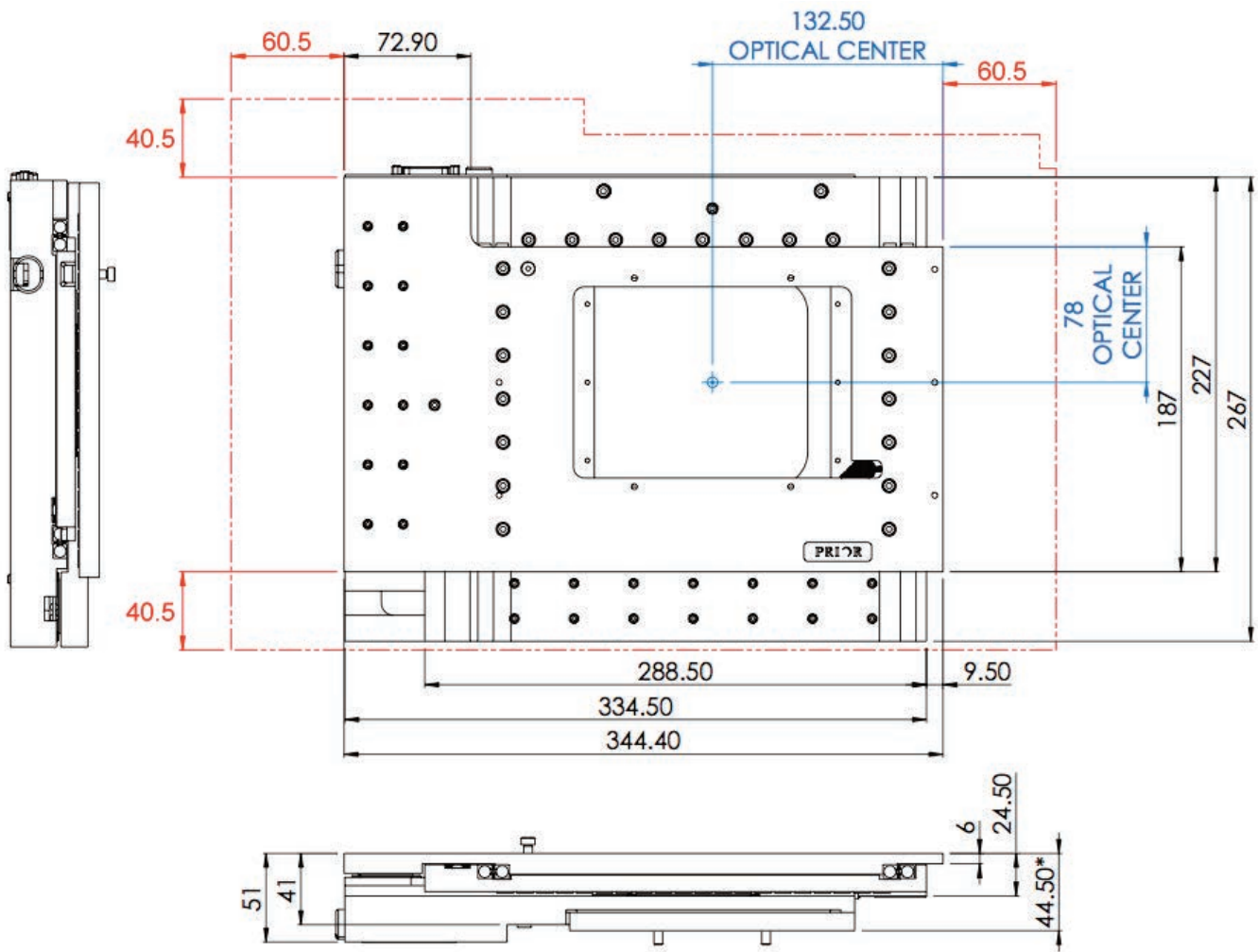
- Motors: high precision linear DC servo
- Linear slides: precision 3mm crossed roller way
- Limit switches: X and Y standard
- Stage profile: approximately 41mm
- Weight: approximately 7 kg
- Maximum load capacity: 6 kg

*Mean value

**Based on performance with IST enabled and measured over full travel of the stage.

HLD117IX Stage

High Precision Stage with Linear Motor Technology for Olympus IX3 Microscopes



HLD117IX Stage With Linear Stage Technology Ordering Information

Part Number	Description
IX3LDXY	ProScan linear motor XY stage kit including ProScan III LD controller, HLD117IX linear stage, PS3J100 joystick and H473XR universal specimen holder for slide/petri dishes
HLD31XYZ	ProScan III LD linear motor controller
HLD117IX	Prior linear motor stage for Olympus IX3 microscope
PS3J100	Interactive Control Center Joystick



Prior Scientific Ltd

3-4 Fielding Industrial Estate • Wilbraham Road • Fulbourn • Cambridge • CB21 5ET • UK

t: +44 (0)1223 881711 • e: uksales@prior.com • www.prior-scientific.co.uk



PM 61600



Prior Scientific Inc

80 Reservoir Park Drive • Rockland • MA. 02370 • U.S.A.

t: +1 781-878-8442 • e: info@prior.com • www.prior-us.com

Registered Address: Units 3/4 Fielding Industrial Estate • Wilbraham Road • Fulbourn • Cambridge • CB21 5ET • United Kingdom Registered in England 404087