

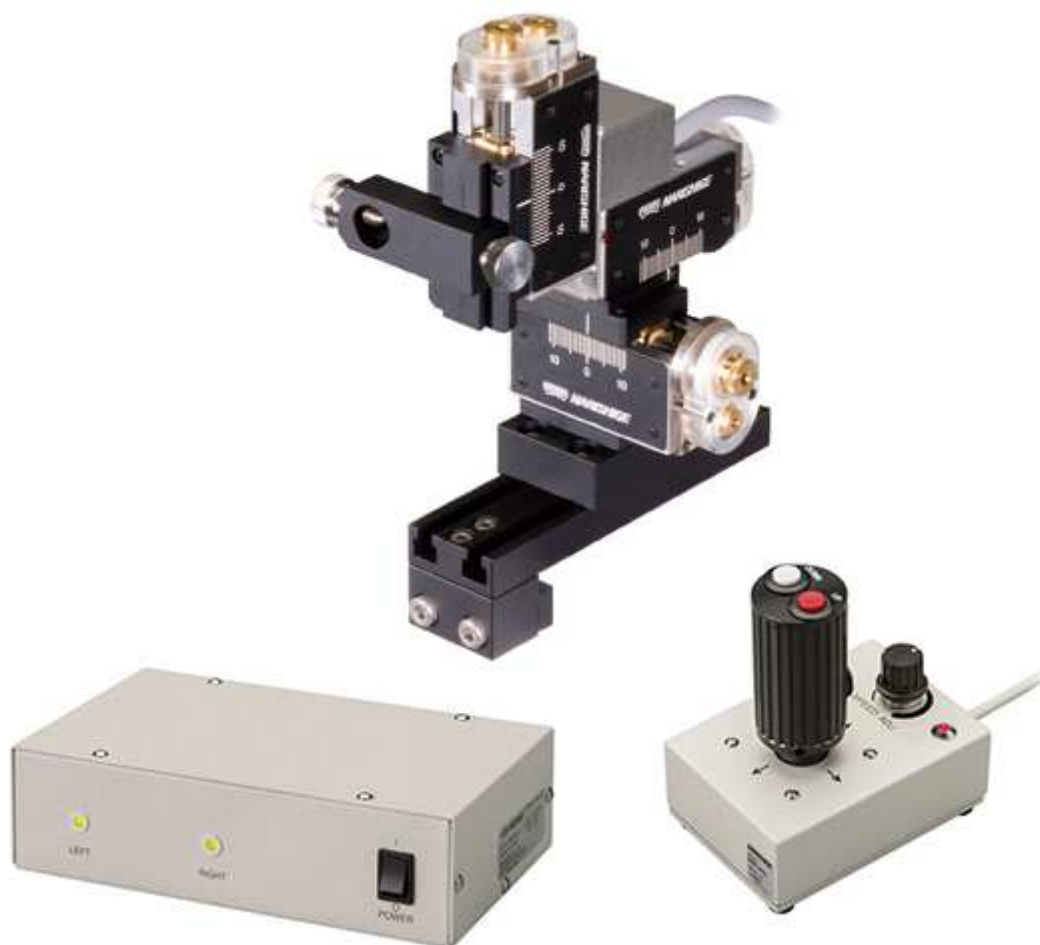


# MM-94

## Motor-drive Manipulator

### Coarse manipulator with most popular motor-drive system.

This motor-drive coarse manipulator is used for initial positioning of the pipette within the microscope field of view. It is controlled remotely using the joystick. Z-axis moves at double the speed of X/Y-axis, so that time for sample change will reduce. MM-94 is the set of dedicated drive unit for right-side, controller, and control unit.



\* MM-94 is right-sided model.

#### Control Unit

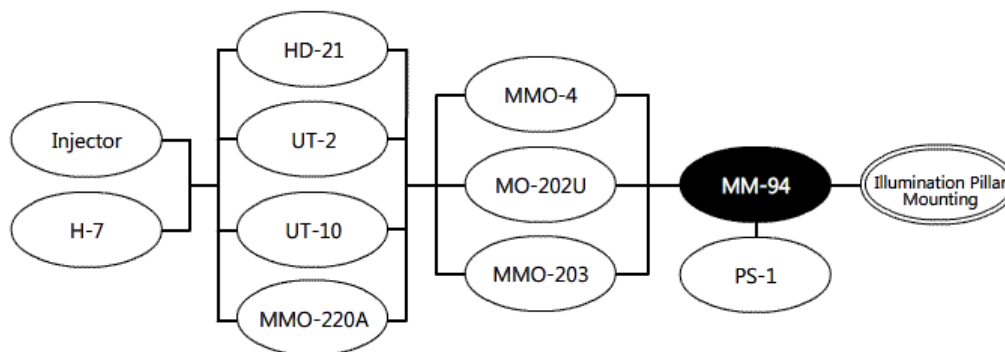


For the full setup with right and left-side, MM-94 and MM-94B share one control unit.  
MM-94 can be placed upright with the use of the control box stand (PS-1).

## Specification

<b>Accessories included</b>		Power Cord, Hex Wrench
<b>Movement range</b>	<b>Coarse</b>	X22mm, Y22mm, Z22mm
<b>Driving speed</b>	<b>X/Y axis</b>	1.4mm/s (with use of high-speed button) Maximum speed 0.7mm/s (with use of speed adjusting knob) Minimum speed 0.1mm/s (with use of speed adjusting knob)
	<b>Z axis</b>	2.8mm/s (with use of high-speed button) Maximum speed 1.4mm/s (with use of speed adjusting knob) Minimum speed 0.2mm/s (with use of speed adjusting knob)
<b>Working voltage</b>		AC100 ~ 240V, 50/60Hz
<b>Power consumption</b>		Approx. 10W
<b>Dimensions/Weight</b>	<b>Control unit</b>	W204 × D135 × H62mm, 1.05kg
	<b>Controller</b>	W70 × D100 × H120mm, 530g, Connecting cable (1.2m)
	<b>Drive unit</b>	W85 × D112 × H144mm, 591g, Connecting cable (1.2m)

## System Diagram



● refers to the model itself with standard attachments

○ refers to attachable main accessories

◌ refers to types of mounting adaptors

Specifications are subject to change without notice.

Copyright © NARISHIGE Group. All Rights Reserved. 1999-2018