



KL 300 LED

- LED light engine.
- Wide range power supply (100–240 V, 50–60 Hz) with international clip plug system.
- Convection cooling (no fan).
- Continuous dimming from 0 to 100%.
- Mountable direct to microscope stands via respective adaptors or usable as standallone.
- Wide range of accessories available (KL 300 series).
- **Approvals:**  
The KL 300 LED is in compliance with the CE regulations.  
(Power supply: CE, UL, PSE)
- Manufactured in the EU.

Mounting adaptors	
<b>for microscope and swinging arm stands</b>	
bracket for column Ø 25 mm (0.98")	120 225
bracket for column Ø 29 mm (1.14")	120 229
bracket for column Ø 32 mm (1.26")	120 232
bracket for column Ø 35 mm (1.38")	120 235
<b>for standalone application</b>	
Base stand	158 340
Mounting bracket	120 250

*Note: Mounting adaptors must be ordered separately!*

## KL 300 LED

*compact and bright*

The KL 300 LED is a fiber optic routine light source with a LED light engine, developed and designed for industrial and life science applications in Stereo Microscopy and Macroscopy.

The brightness is equivalent to a 30-watt halogen cold light source.

All advantages of LED light sources,

- *no bulb changing*
- *low energy consumption*
- *ripple free DC illumination*
- *white light (daylight)*

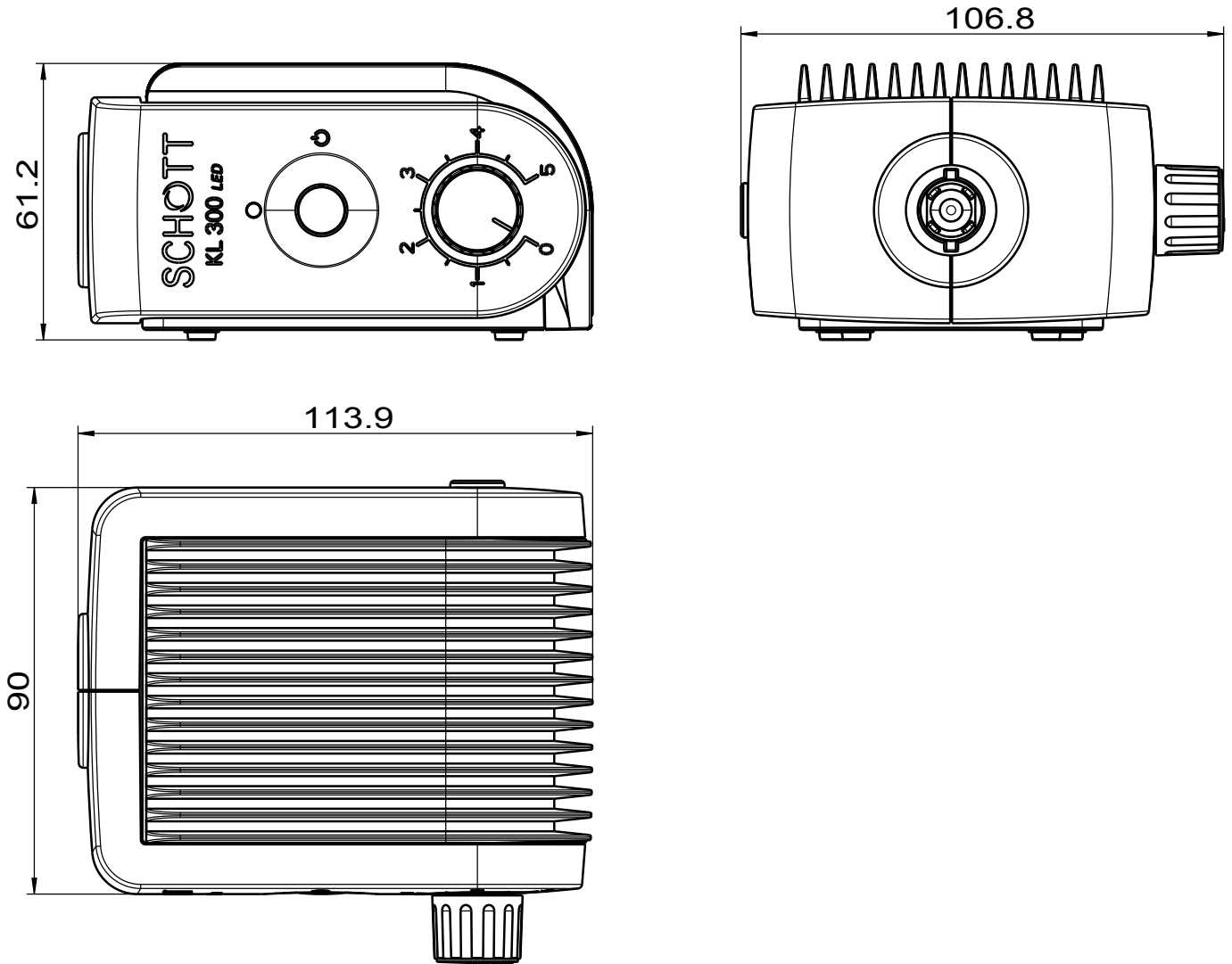
are combined with the main advantages of fiber optics,

- *significantly higher light intensity focused to a small field of view*
- *high flexibility of light and illumination techniques*

for an outstanding price performance ratio.

KL 300 LED		
<b>Generell data</b>		
Part-No.		120 300
Dimensions (W x D x H)	(mm) / (inch)	107 x 114 x 61 / 4.2" x 4.5" x 2.4"
Weight	(kg)	Approx. 0.35
Cooling		Convection
<b>Electrical data</b>		
Operating voltage, frequency		100 – 240 V ~, 50 – 60 Hz
Power consumption	(VA)	Max. 5
Protection class		II
Overvoltage category		II
Diode		LED, Luxeon Rebel
LED power rating	(W)	3
LED life time	(h)	50,000
<b>Illumination data</b>		
Light flux	(lm)	80
Color temperature	(K)	Approx. 5,600
Light control		Electrical
Active light guide diameter	(mm) / (inch)	Max. 6 / max. 0.23"
<b>Certification marks</b>		
Approvals		CE (power supply: DE, UL, PSE)
EMV-class		B

# KL 300 LED



All specifications are subject to change without prior notice. This datasheet or any extracts thereof may only be used in other publications with express permission of SCHOTT.

© SCHOTT AG

Lighting and Imaging  
**SCHOTT AG**  
Otto-Schott-Strasse 2  
55127 Mainz  
Germany

Phone +49 (0)6131/66-7796  
Fax +49 (0)6131/66-7850  
lightingimaging@schott.com  
www.schott.com/lightingimaging

For your local sales contact please visit  
[www.schott.com/lightingimaging/english/contact](http://www.schott.com/lightingimaging/english/contact)

**SCHOTT**  
glass made of ideas